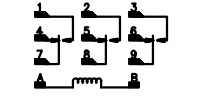
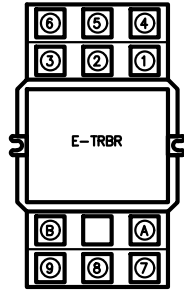
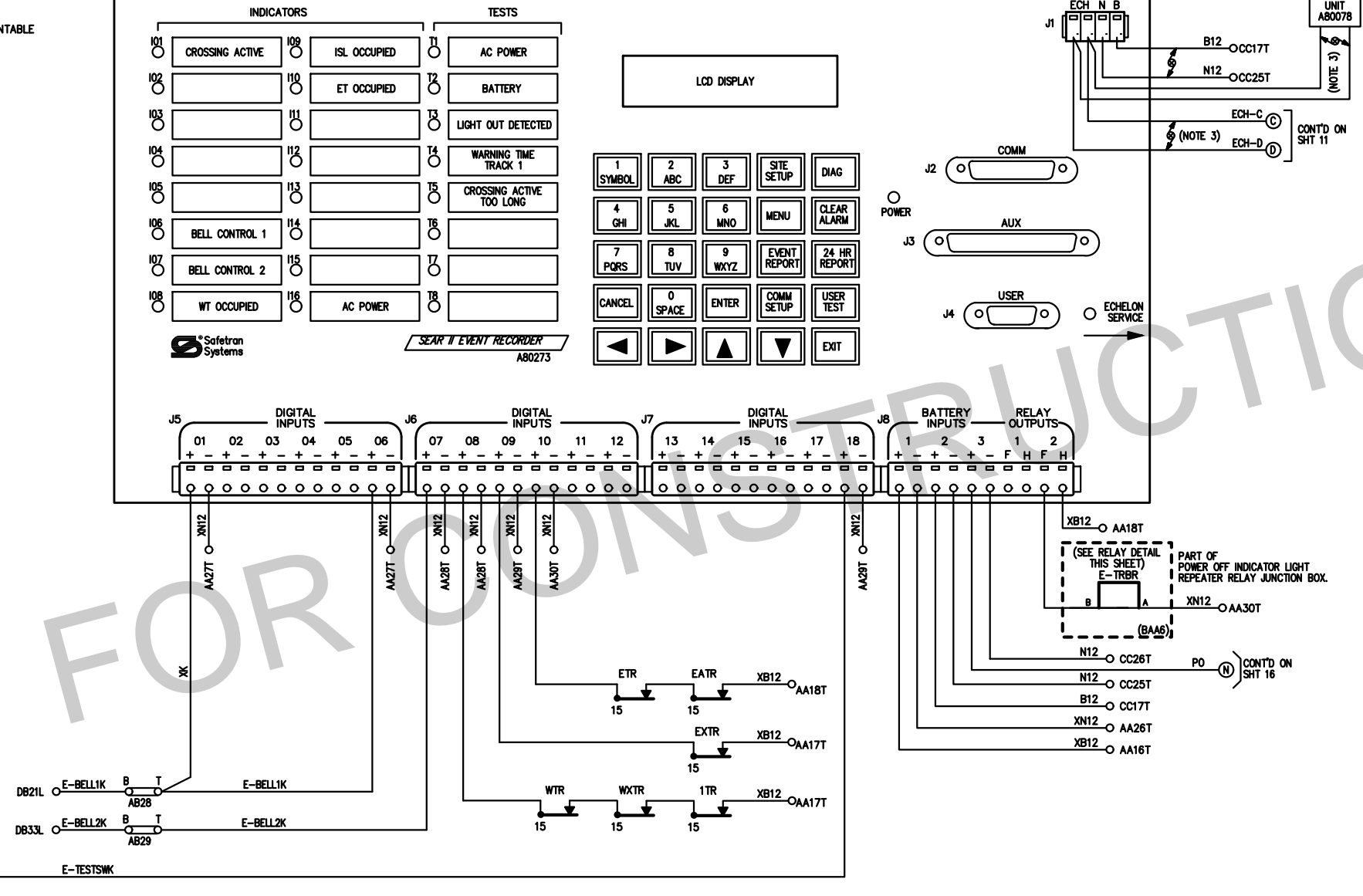


RELAY DETAILRELAY - POTTER & BRUMFIELD
MODEL KUMP-14D18-12 SOCKET MOUNTABLE
12 VDC W/ 3 FORM C CONTACTS.SOCKET - SCREW TERMINAL
MODEL 27E121.**RELAY WIRING DIAGRAM (REAR VIEW)**NOTE:
SOCKET NUMBERING CORRESPONDS
DIRECTLY WITH RELAY NUMBERING.
(COIL SHOWN ENERGIZED)

(A2)



- NOTES:
- 1) ALL WIRING #16 AWG UNLESS OTHERWISE NOTED.
 - 2) $\text{\textcircled{X}}$ DENOTES TWISTED PAIRS.
 - 3) USE BELDEN CABLE PART #8461-u500-60 FOR ALL ECHELON AND LAN WIRING.
 - 4) ** DENOTES RS-232 RIBBON CABLE DB25-MALE CONNECTOR

B.M. ELEV.				
CONSTRUCTION COMPLETION DATE: YYYY MM DD				
0	ISSUED FOR TENDER	2020-01-31	WSP	
NO.	REVISIONS	DATE	BY	

DESIGNED BY	JAB(WSP)	CHECKED BY	HH(WSP)
DRAWN BY	JAB(WSP)	APPROVED BY	RY(WSP)
SCALE:	HORIZONTAL NTS VERTICAL NTS		
RELEASED FOR CONSTRUCTION	DATE YYYY-MM-DD		

ENGINEER'S SEAL
CONSULTANT DRAWING NUMBER GWWD067.23PA013_SW

THE CITY OF WINNIPEG
 WATER AND WASTE DEPARTMENT
 ENGINEERING DIVISION

THE GREATER WINNIPEG WATER DISTRICT RAILWAY
PTH 1 HIGHWAY CROSSING WARNING SYSTEMS Mi.67.18 & Mi.67.28

Mi.67.28 EASTBOUND SEARII CIRCUITS

SHEET 13 OF 20
CITY DRAWING NUMBER
1-0754R-E0013-001

PLOT DATE: 2020 01 31

BID OPPORTUNITY: XXX-20XX
CONTRACT NUMBER: X

FILE PATH: C:\Users\cjb069559\OneDrive - WSP 0365\My Documents\5 - Winnipeg Crossings\Design\CAD\
FILE NAME: GWWD067.23PA013_SW.dwg